



**PERFORMANCE DATA SHEET
NEMA PREMIUM NR CAN NEMA 12 - 12**

Catalogue #: MPOP-107

HP	kW	Voltage	S.F. @ 60Hz	EFF.	P.F.	Frame	Design	L.R. Amps
300	223,80	575	1,15	96,2%	0,87	449T	B	1760

60 Hz								
FLA							Code	F.L. RPM
208	230	416	460	480	575	600		
/	/	/	/	/	268	256,80	G	1790

50 Hz								
FLA			S.F. @ 50Hz	Efficiency	Power Factor	Code	F.L. RPM	
190	380	415						
/	/	/	/	/	/	/	/	

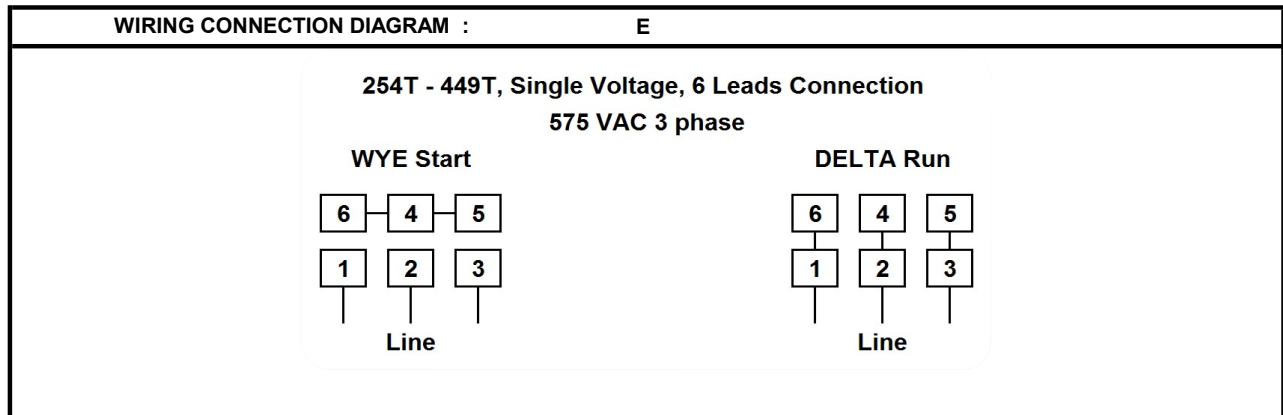
Wgt. Lbs	PH	Duty	Insul. Class	Amb.	Elevation	Temp. Rise° C
2220	3	Cont.	F	40°C	1000M (3,300 Ft)	< 80

% Efficiency		% Power Factor		Torque		Winding Resist. Ω	Safe Cold Start (Secs)
Full Load:	96,2%	Full Load:	0,87	Full Load Ft/Lbs	880,2		
3/4 Load:	96,0%	3/4 Load:	0,86	Locked Rotor %	140		
1/2 Load:	95,6%	1/2 Load:	0,80	Break Down %	245	0	20

Rotor Inertia Wk2 Lb-Ft2	Max Load Inertia Wk2 Lb-Ft2	Shaft Material	Frame Material	DE Bracket Type	ODE Bracket Type	Enclosure	NEMA Rating	Lead Wire Size
94,92	1500	Standard	Cast Iron	Standard	Standard	ODP	IP23	1AWG

Ball Bearings		Grease	Mount Type	Orientation	Paint	Sound Pressure @ 3FT	Sound Power
DE	ODE						
NU319	6318	Mobil PolyrexEm	Rigid	Horizontal	(Olive Drab M	93	105

Inverter Duty, Motor meets MG1 parts 31.4.4.2	VFD SF	Constant Torque Range	Variable Torque Range	Constant HP RPM
	1,00	10:1	20:1	2700

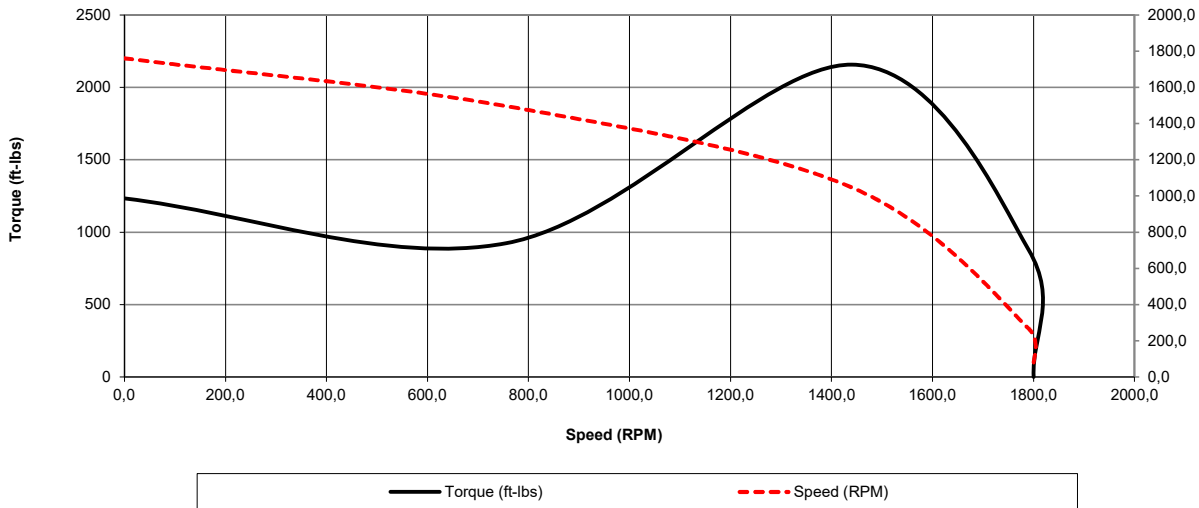


Date: 2023-09-14
 Customer: _____
 Contact: _____
 Submittee: J.C. Lavallée

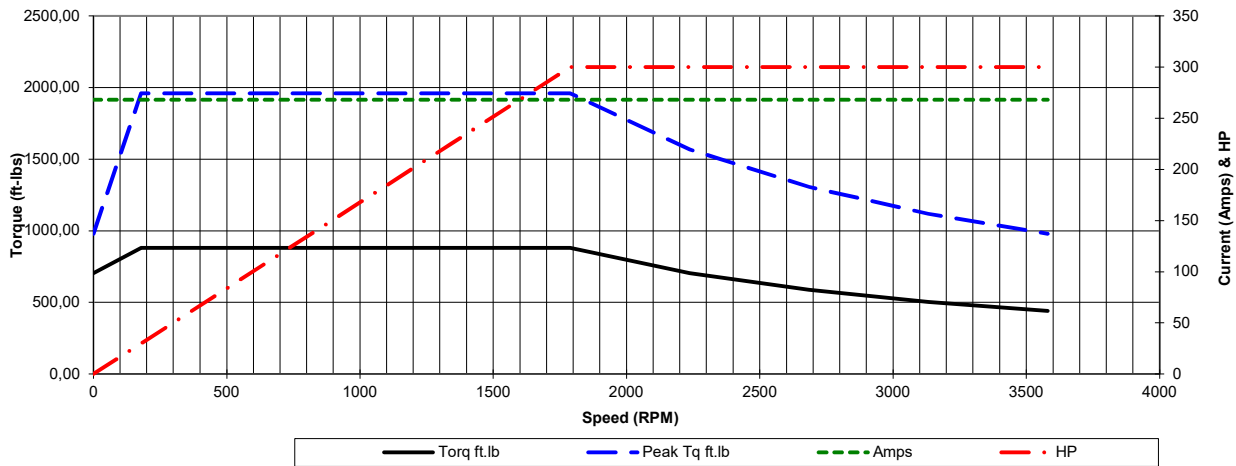
Catalogue #: **MPOP-107**

NEMA PREMIUM NR CAN NEMA 12 - 12										
HP	VAC	RPM	Enclosure	Frame	Frequency	Design	Poles	LR Code Letter	Insulation Class	Temp. Rise °C
300	575	1790	ODP	449T	60 Hz	B	4	G	F	< 80
	0Hz	6Hz	15Hz	30Hz	45Hz	60 Hz	75Hz	90Hz	105Hz	120Hz
Amps	268	268	268	268	268	268	268	268	268	268
RPM	0	179	447,5	895	1342,5	1790	2237,5	2685	3132,5	3580
Torq ft.lb	704,18	880,22	880,22	880,22	880,22	880,22	704,18	586,82	502,98	440,11
Peak Tq ft.lb	979,25	1958,50	1958,50	1958,50	1958,50	1958,50	1566,80	1305,66	1119,14	979,25
HP	0	30,0	75,0	150,0	225,0	300,0	300,0	300,0	300,0	300,0
	Locked Rotor	Pull-Up	Breakdown	Rated Load	Idle	Duty	S. F.	Ambient	Elevation	dBA @ 1M
Speed (RPM)	0,0	756	1440	1790	1800	Continuous	1,15	40°C	3,300 ft	93
Current (Amps)	1760,0	1496,0	1047,2	268,0	67,3	VFD Rating: Meets MG1 parts 31.4.4.2				
Torque (ft.-lbs)	1232,3	924,2	2156,5	880,2	0,0	C.T.	10:1	V.T.	20:1	VFD SF 1.00

Motor Speed Data



Motor Torque Capability vs RPM





Date: 2023-09-14
 Customer: _____
 Contact: _____
 Submittee: J.C. Lavallée

Catalogue #: **MPOP-107**

NEMA PREMIUM NR CAN NEMA 12 - 12										
HP	VAC	RPM	Enclosure	Frame	Frequency	Design	Poles	LR Code Letter	Insulation Class	Temp. Rise °C
300	575	1790	ODP	449T	60 Hz	B	4	G	F	< 80
Load %	0%	25%	50%	75%	100%	125%	150%			
Amps	67,27	95,81	147,13	205,02	268,00	340,71	408,85			
Torq ft/lbs	0	219,14	438,89	659,25	880,22	1101,82	1324,03			
RPM	0	1797,5	1795	1792,5	1790	1787,5	1785			
Eff	0	87,13	95,60	96,00	96,20	96,20	96,20			
PF	0	67,3	80	86	87	85,7	85,7			
	Locked Rotor	Pull-Up	Breakdown	Rated Load	Idle	Duty	S. F.	Ambient	Elevation	dBA @ 1M
Speed (RPM)	0	756	1440	1790	1800	Continuous	1,15	40°C	3,300 ft	93
Current (Amps)	1760	1496,0	1047,2	268	67,268	VFD Rating: Meets MG1 parts 31.4.4.2				
Torque (ft-lbs)	1232,31	924,23	2156,55	880,22	0,0	C.T.	10:1	V.T.	20:1	VFD SF 1.00

